

TOYOTA

Avensis

TNS600

RHD installation instructions



Model year: 2006

Vehicle code: **T25*R-*****W

Part number:

- Navigation System PZ 445-00331-00
- Audio Frame 55405-05160

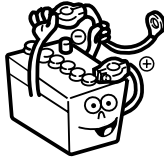
Manual ref. n°: AIM 000 766-1

PRECAUTIONS

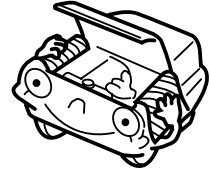


PLEASE READ THOROUGHLY THESE PRECAUTIONS BEFORE THE INSTALLATION

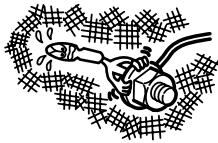
- Be sure to disconnect the negative (-) lead from the battery terminals.



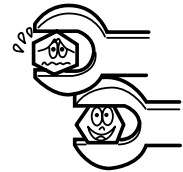
- Protect your car with fender covers, seat and so on.



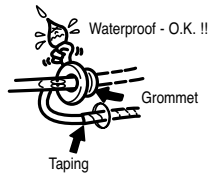
- Do not pinch the rear wiring or harness in the tightened part.



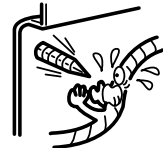
- Use the correct tool when tightening bolts or nuts.



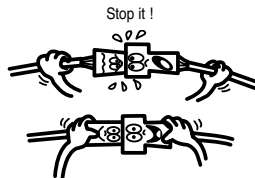
- When passing the wires through the dashboard or other panels, use a grommet to ensure waterproofing.
- Protect the wiring with tape when it is passed through a hole.



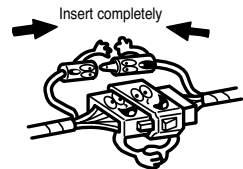
- Before drilling a hole, check that the rear of the mounting wall is clear.



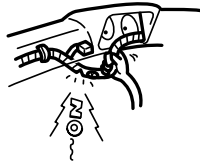
- When disconnecting the connectors, be sure to grip the connector body. Do not tug on the wiring.



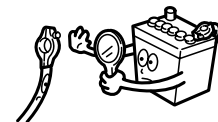
- Be sure to firmly tighten connectors and terminals.



- Do not forcibly pull any car wiring harness. Rough tugging may result in opened connections, or a broken wire or harness.



- Before connecting the power wiring to the battery, check the wiring connections, harness, etc. to see that they are properly secured.



- Confirm that lamps, horn, wiper and other car accessories operate normally.



- Check body and trim near area of installation to be certain no dirt or scratches resulted from the installation.

TABLE OF CONTENTS 

Precautions 2

Component parts 4

Navigation Kit 5

How to connect 6

Installation Overview 7

Vehicle Disassembly 8

Installation of the GPS-Antenna 10

Wire Harness Installation 12

Installation of the Navigation Disc 17

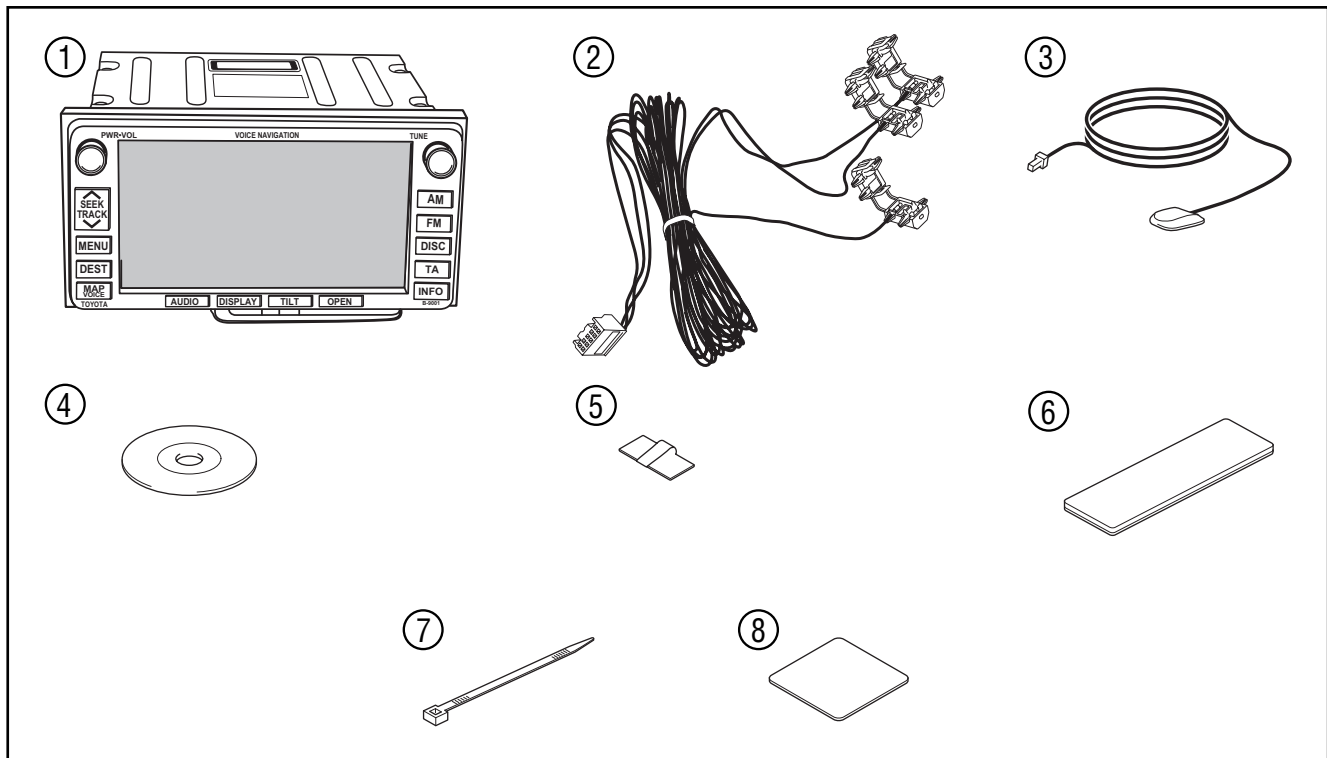
Post-Installation Inspection 17

Reassembling 17

REMARK

Be sure to read the General Installation Instructions (Common Section) before installing TNS 600.

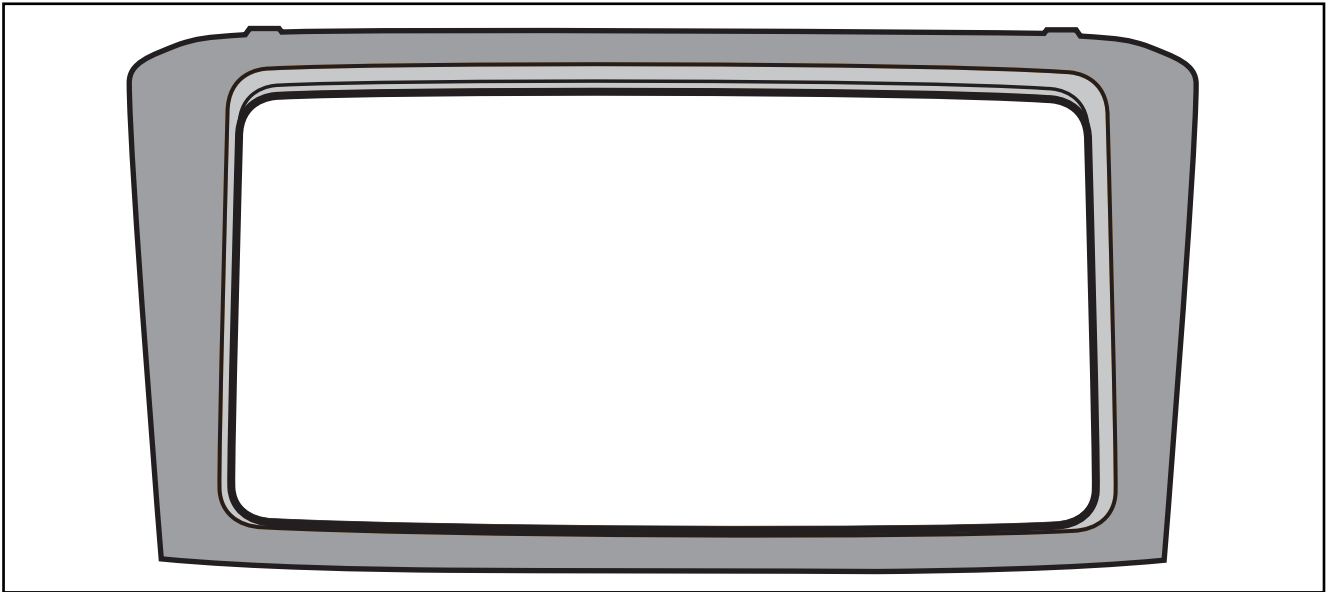
COMPONENT PARTS **PZ445-00331-00** 



N°	Description	Qty
①	TNS600	1
②	WIRE HARNESS	1
③	GPS ANTENNA	1
④	NAVIGATION DISC	1
⑤	WIRE CLAMP	2
⑥	FOAM TAPE	2 + 3
⑦	WIRE TIE	10
⑧	EARTH PLATE	1

COMPONENT PARTS

55405-05160

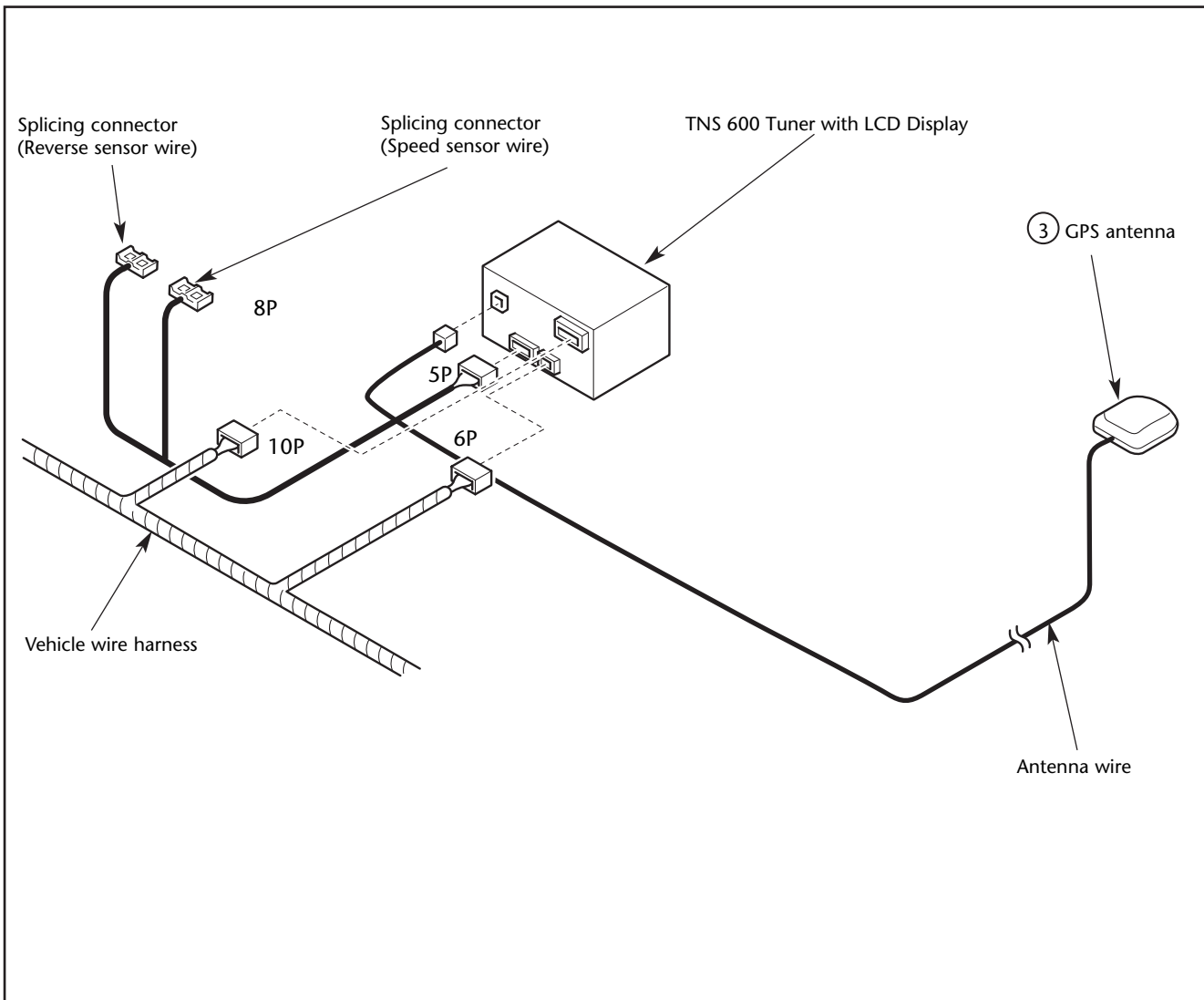


OWNER'S MANUAL

To be ordered separately.

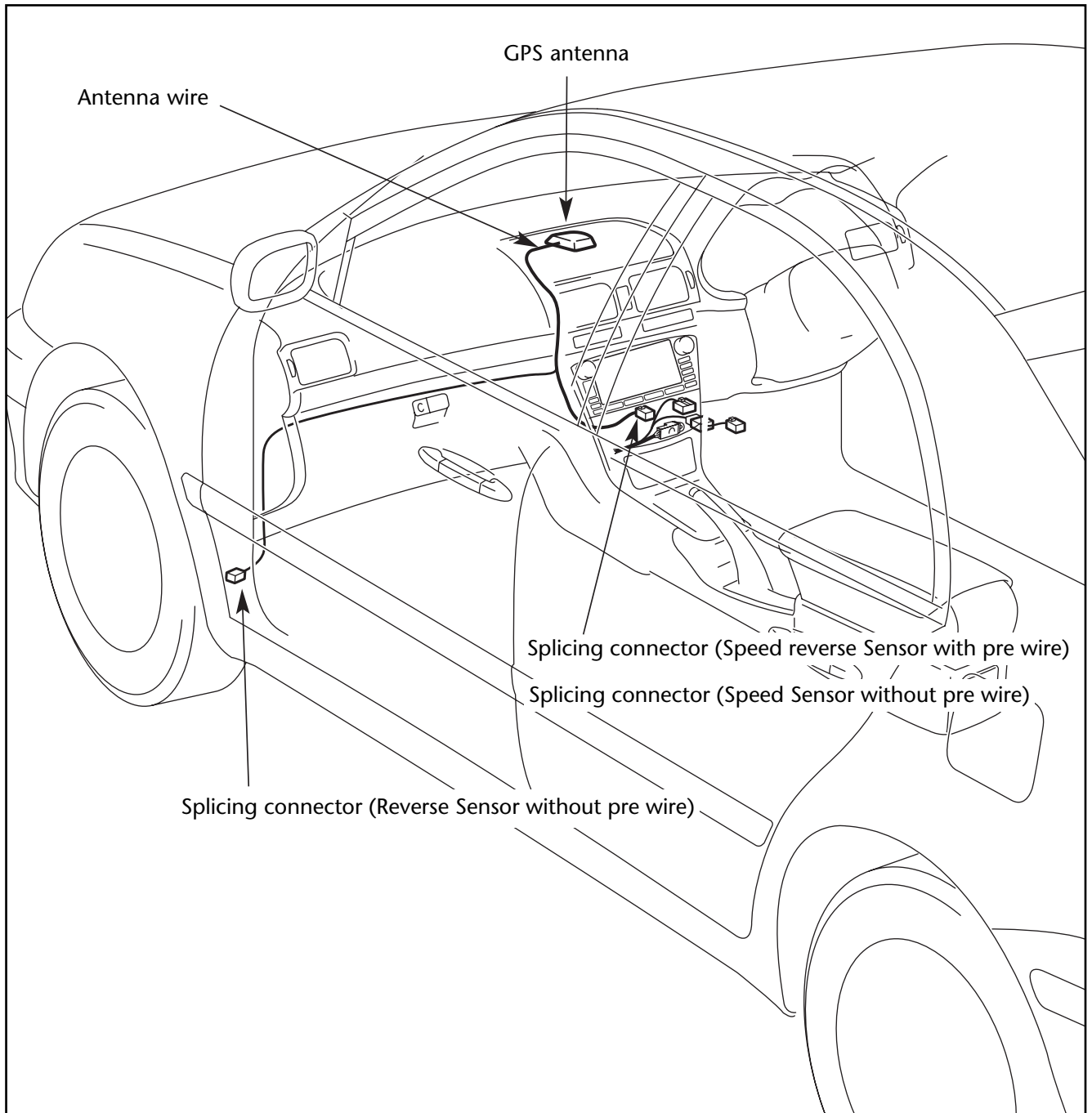
Refer to ATA database for partnumbers

HOW TO CONNECT



Refer to the repair manual for information on removal of vehicle parts, installation methods, tightening torque etc.

INSTALLATION OVERVIEW



VEHICLE DISASSEMBLY

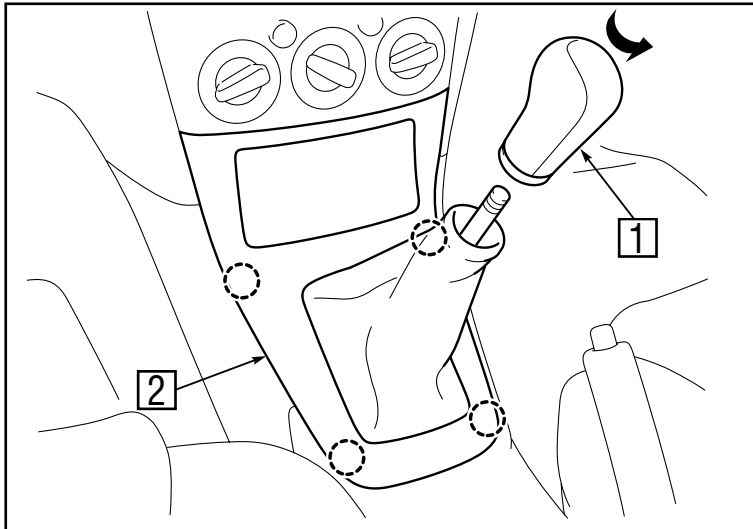


Fig. 1

FOR M/T MODELS

1.
 - a) Remove the gear lever knob [1].

FOR ALL MODELS

1.
 - b) Remove the gear lever hole cover [2].
○ : Clip (4x)

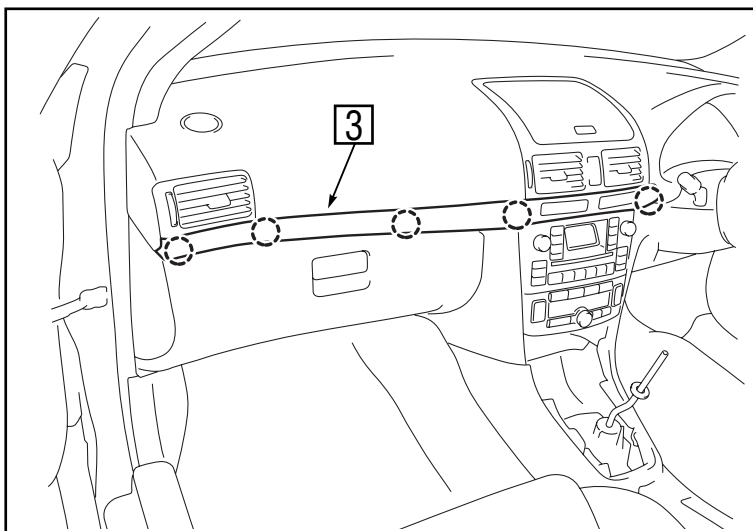


Fig. 2

2. Remove the instrument panel cluster moulding [3].
○ : Clip (5x)

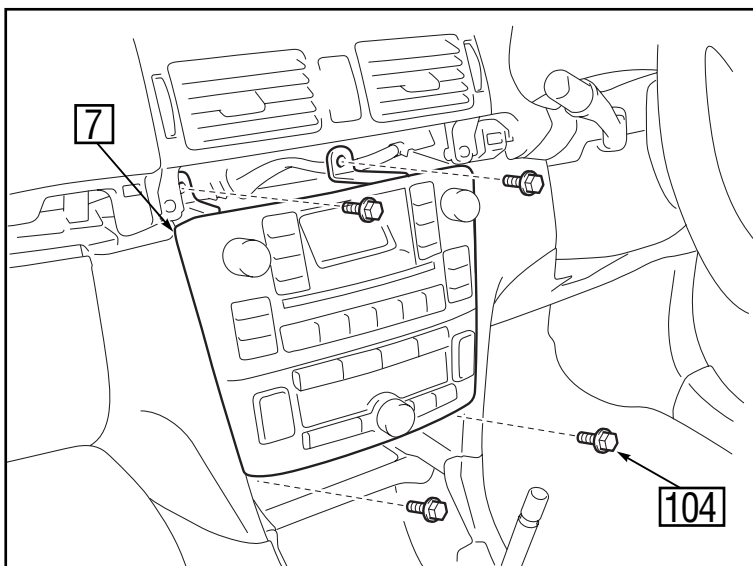
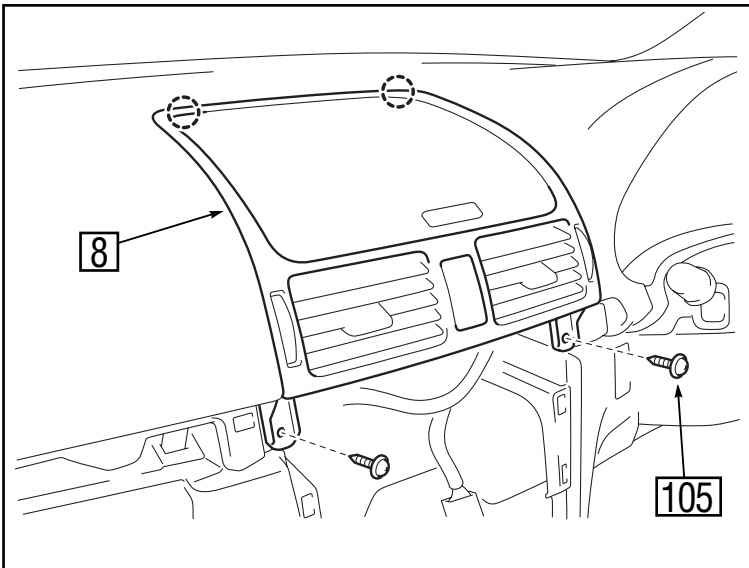


Fig. 3

3. Remove the heater control assembly [7].
[104]: Bolt (4x)



4. Remove the storage box [8].
[105]: Screw (2x)
○: Clip (2x)

Fig. 4

INSTALLATION OF THE GPS-ANTENNA

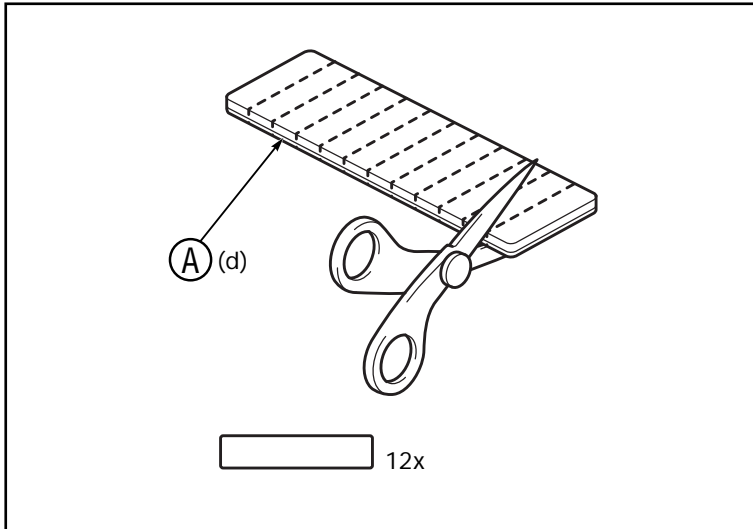


Fig. 5

1. Cut the foam ①(d) into 12 pieces as shown in the illustration.

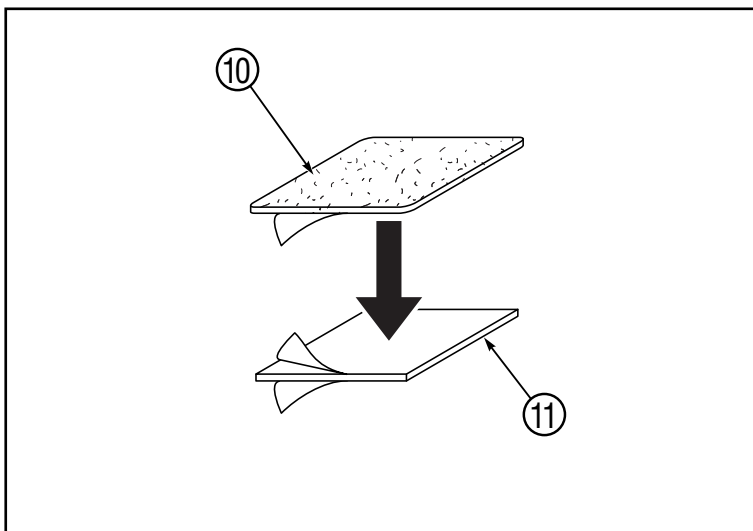


Fig. 6

2.
 - a) Remove the release paper of the earth plate ⑩ and attach the butyl tape ⑪ as shown.
 - b) Apply the tapes ⑪ to the adhesive side of the earth plate ⑩.

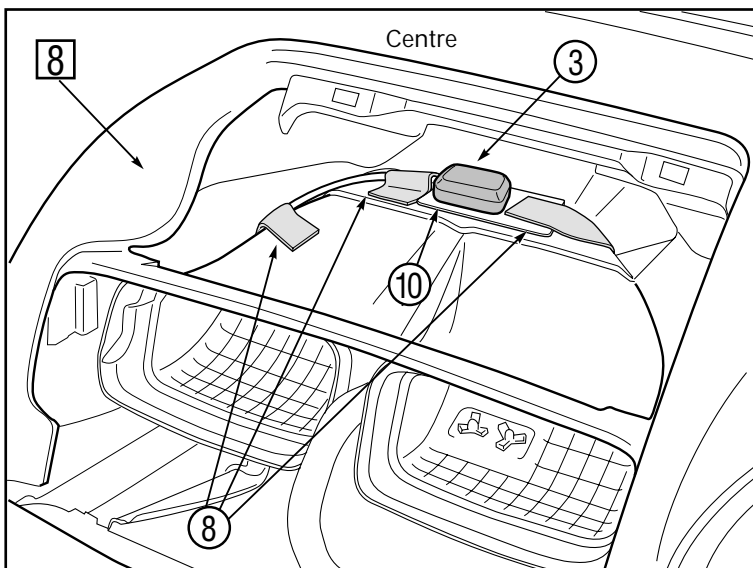


Fig. 7

3.
 - a) Attach the earth plate ⑩ to the air duct ⑧ as shown and mount the GPS-antenna ③ to the earth plate ⑩.

CAUTION

When affixing the earth plate ⑩ make sure to carefully wipe of any dirt, moisture or oil from the surface of the location where it is to be affixed.

- b) Attach the antenna wire ③ using the foam tapes ⑧ (3x).

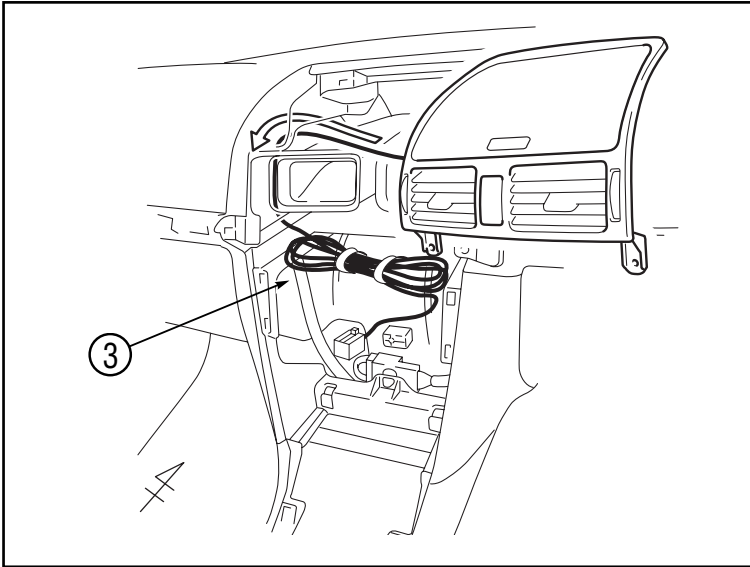


Fig. 8

4. Route the GPS antenna wire ③ as shown.

WIRE HARNESS INSTALLATION

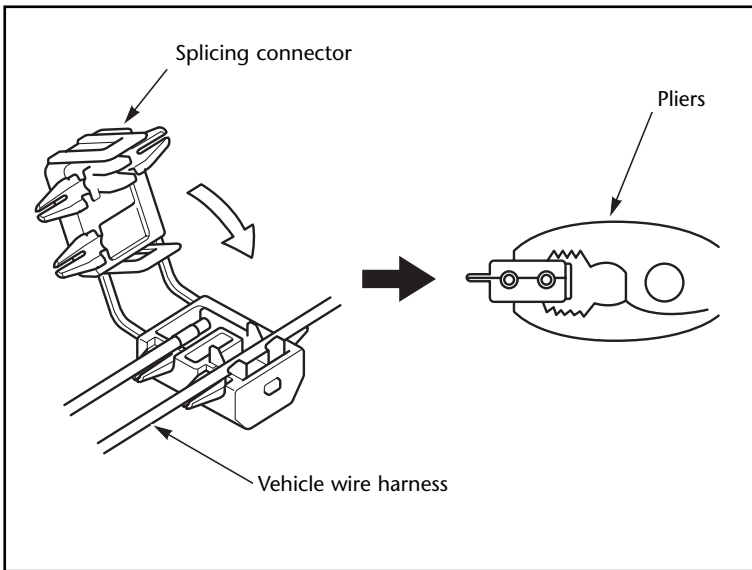


Fig. 9

CONNECTING PROCEDURES OF SPLICING CONNECTOR

- a) Remove the vinyl tube or wrapping tape from the length of vehicle wire harness to be connected.
- b) Insert the vehicle wire harness to be connected securely into the guide slit.
- c) After inserting the vehicle wire harness into the guide slit, lock the splicing connector securely using a pair of pliers or the equivalent until the connector clicks.

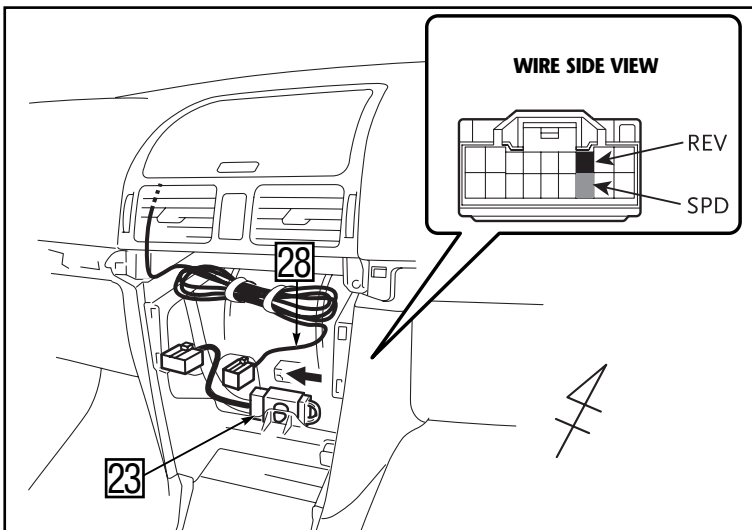


Fig. 10

FOR MODELS WITH PRE-WIRE

1. Disconnect the female 18P connector 23 of the vehicle wire harness 28 as shown.

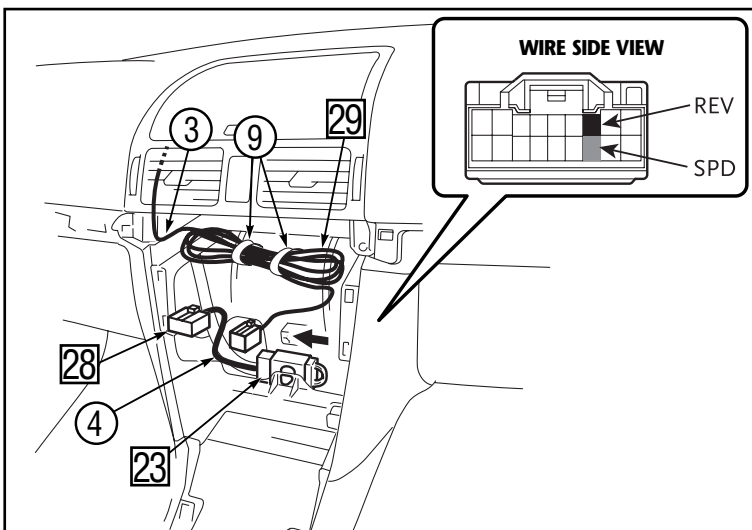


Fig. 11

2.
 - a) Connect the female 18P connector of the wire harness 4 to the vehicle wire harness male 18p connector 28.
 - b) Attach the wire harness 4 and GPS-antenna wire 3 to the vehicle wire harness 29 using a wire tie 9.
- ⑨: Wire tie (2x)

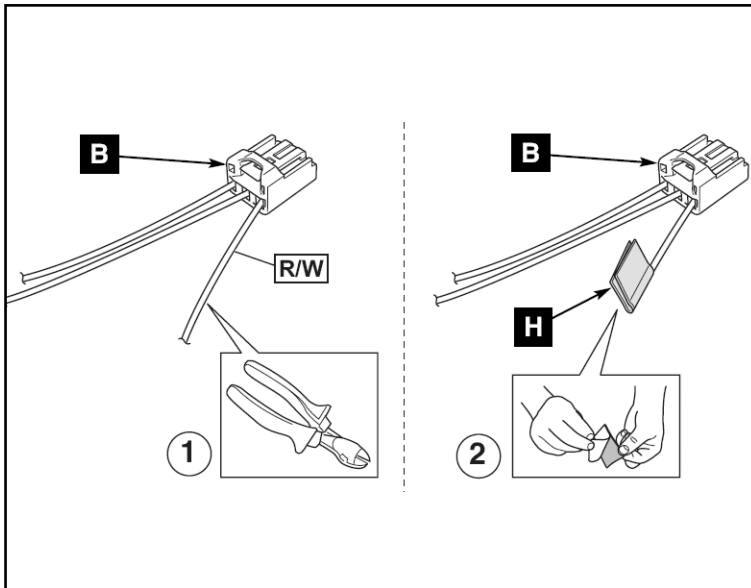


Fig. 12

- Cut the red/white wire away ① and isolate ②.

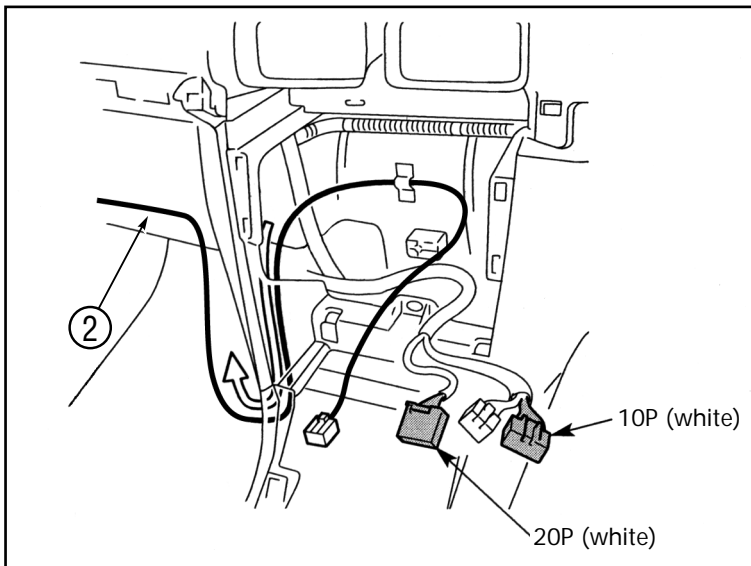


Fig. 13

FOR VEHICLES WITHOUT PRE-WIRE

- Route the reverse sensor wire ② as shown in the illustration.

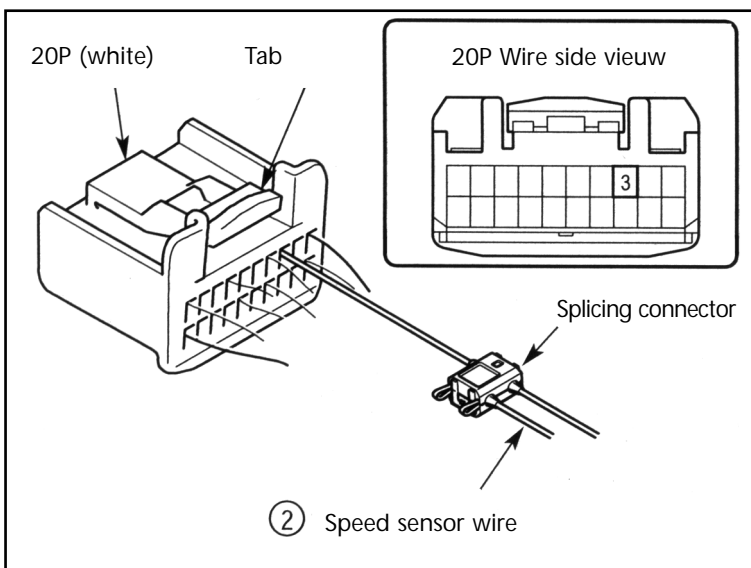


Fig. 14

- Connect the speed sensor wire (Violet/White) ② to terminal 3 of the 20P (White) connector.

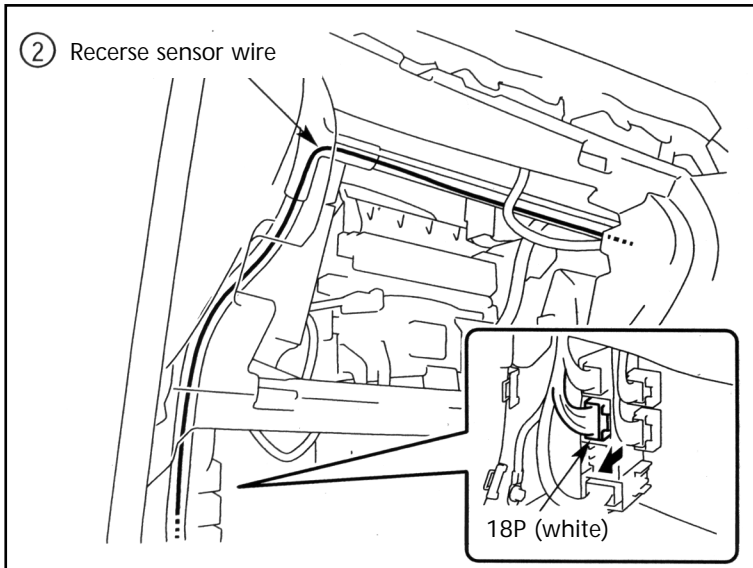


Fig. 15

3.
 - a) Route the reverse sensor wire ② as shown in the illustration.
 - b) Disconnect the 18P (White) connector.

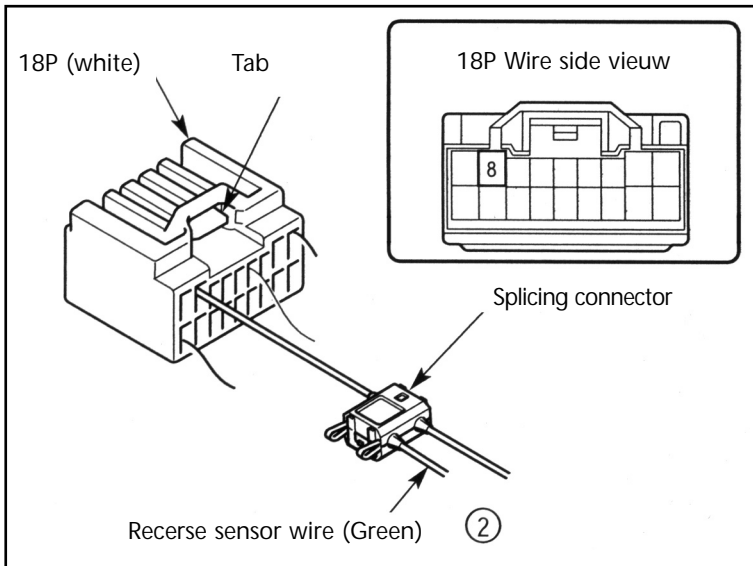


Fig. 16

4. Connect the reverse sensor wire (Green) ② to terminal 8 of the 18P (White) connector.

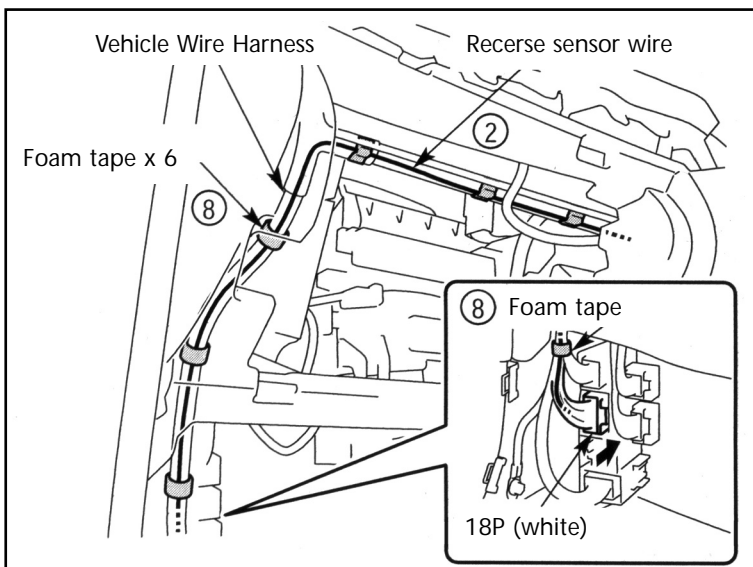


Fig. 17

5.
 - a) Reconnect the 18P (White) connector.
 - b) Secure the reverse sensor wire ② as shown in the illustration using the foam tape.

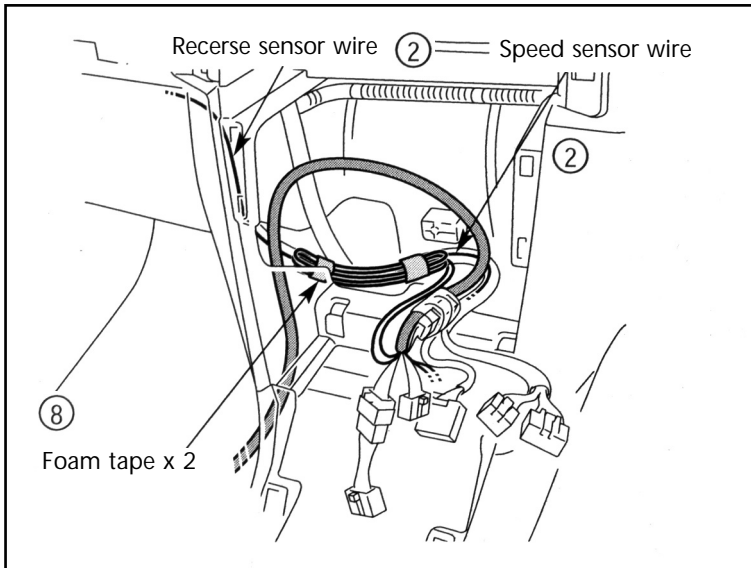


Fig. 18

- Secure the excess speed sensor wire and reverse sensor wire (2) as shown in the illustration using the foam tape (8).

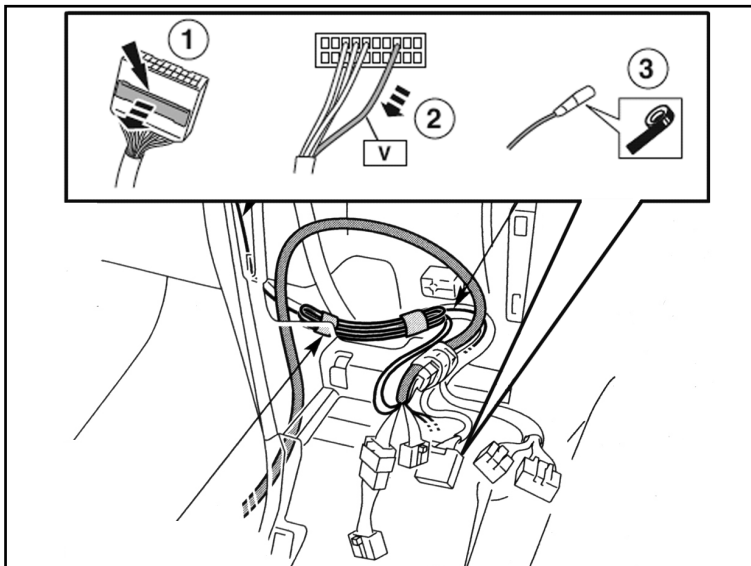


Fig. 19

- Remove the speed signal from 20 pin connector (pin 3)

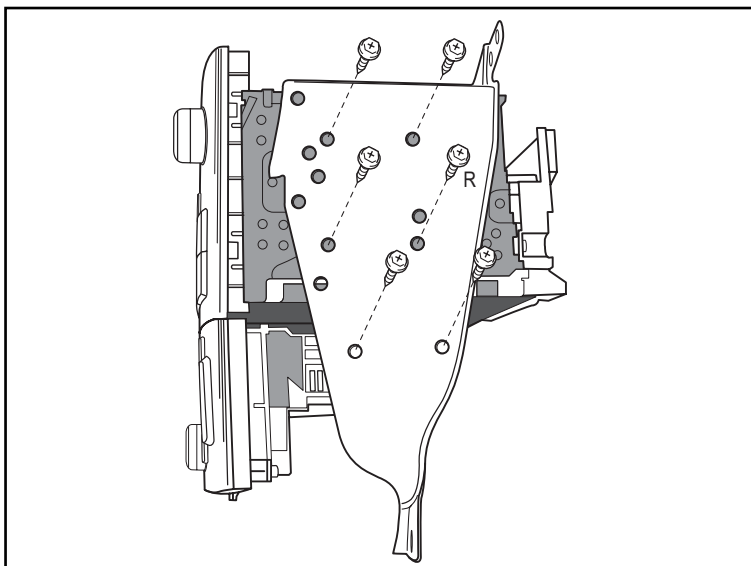


Fig. 20

- Removed the left and right side brackets from the unit.

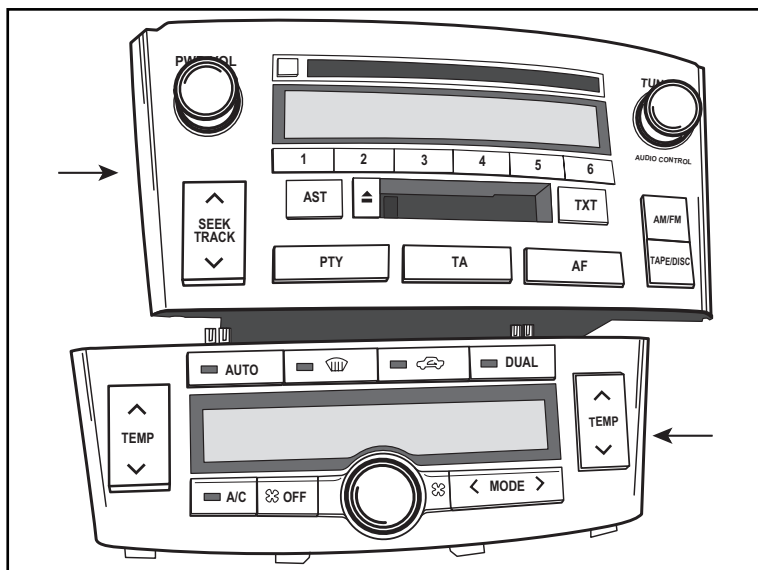


Fig. 21

9. Slight the airco to the left to disassemble the airco.

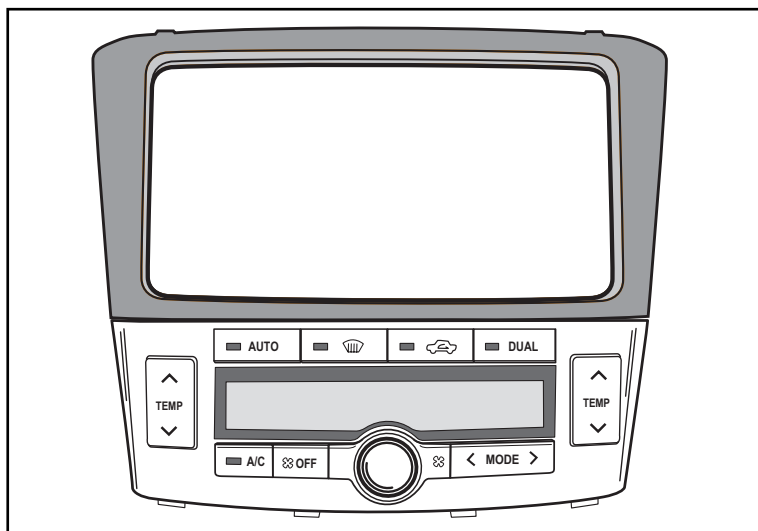


Fig. 22

10.
 - a) Slight (put) the frame on the airco and mount the brackets on the TNS600 and the airco.
 - b) Connect the connectors and place the headunit back in place.

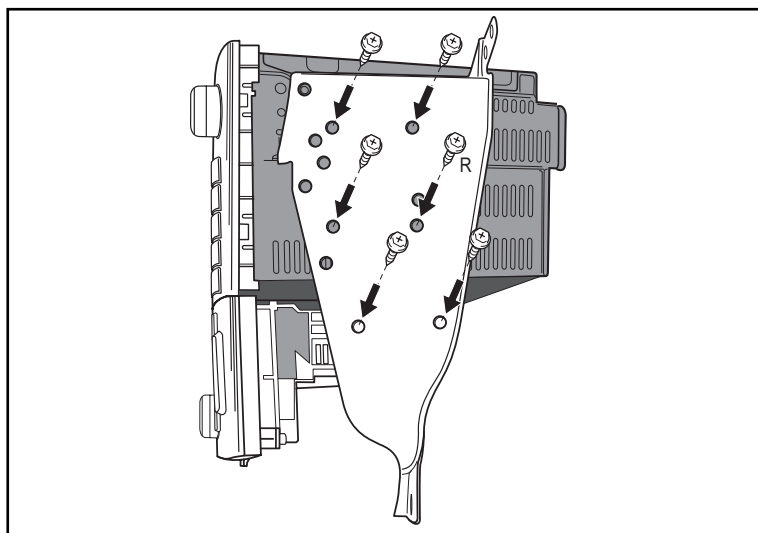
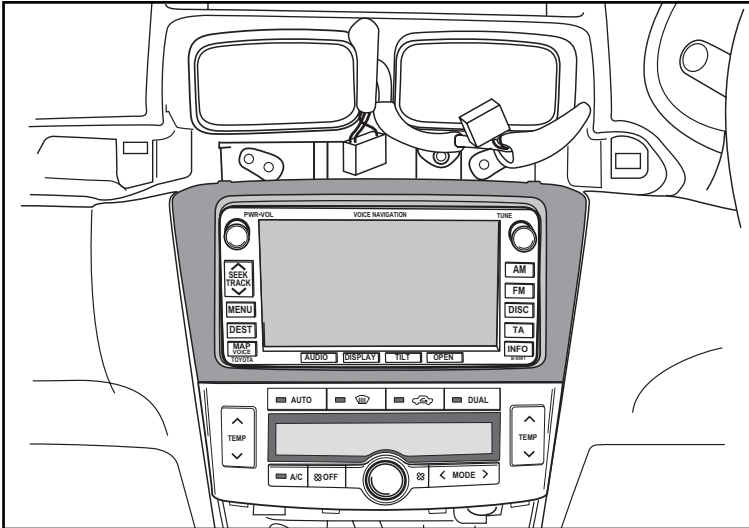


Fig. 23

11. Reassemble the brackets on the head unit.



12. Re fit all parts.

Fig. 24

**ENSURE THAT ALL REMOVED CONNECTORS ARE PUT BACK CORRECTLY.
REFIT THE TRIM AND REMOVED PARTS.**

INSTALLATION OF NAVIGATION DISC

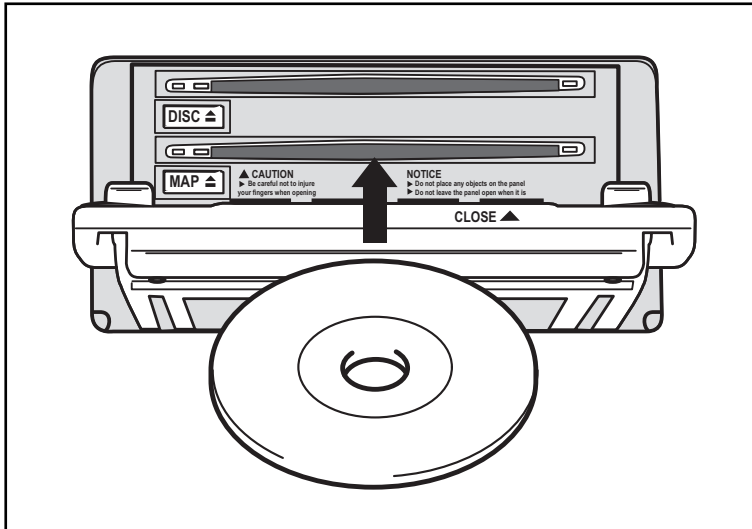


Fig. 22

DVD-ROM INSERTION INTO THE NAVIGATION ECU INSTALLATION

1. Connect the battery and turn the ignition switch to the ACC position.
2. Press open.
3. With the label side of the disc facing up, insert the Navigation Disc into the disc insertion slot.
*** The disc will be pulled into the computer automatically.**
4. Press close.

POST-INSTALLATION INSPECTION



Installation Check

1. Inspect the wiring and installation for abnormalities.
2. Check particularly closely for any locations where the vehicle harness, wire harness or divergency harness is being pushed, pulled or pinched using excessive force. Also check again that clamps and bands have not shifted out of position and that all parts have been tightened.

Operation Check

1. Attach the (-) terminal of the battery and turn the key to the ACC or ON position or start the engine.
2. Press the NAVI switch and confirm that the navigation screen is displayed.
3. Adjust the volume by following the section on "Adjusting the Volume of the Guide Voice" in the TNS600 Owner's Manual, and confirm that the sound from the speakers changes.
4. Perform the "auto-compensation" procedure by following the section on "When Tires are Replaced" in the TNS600 Owner's Manual.

When an abnormality is suspected, perform troubleshooting based on the "Toyota Genuine Navigation System Service Manual".

REASSEMBLING



Return all vehicle parts that have been removed to their original locations. Especially make sure to attach trim and other interior materials properly so that they do not have a detrimental effect on the function of the vehicle. During restoration, make sure that wires are not pinched and all bolts and screws are tightened.

TOYOTA
GENUINE PARTS